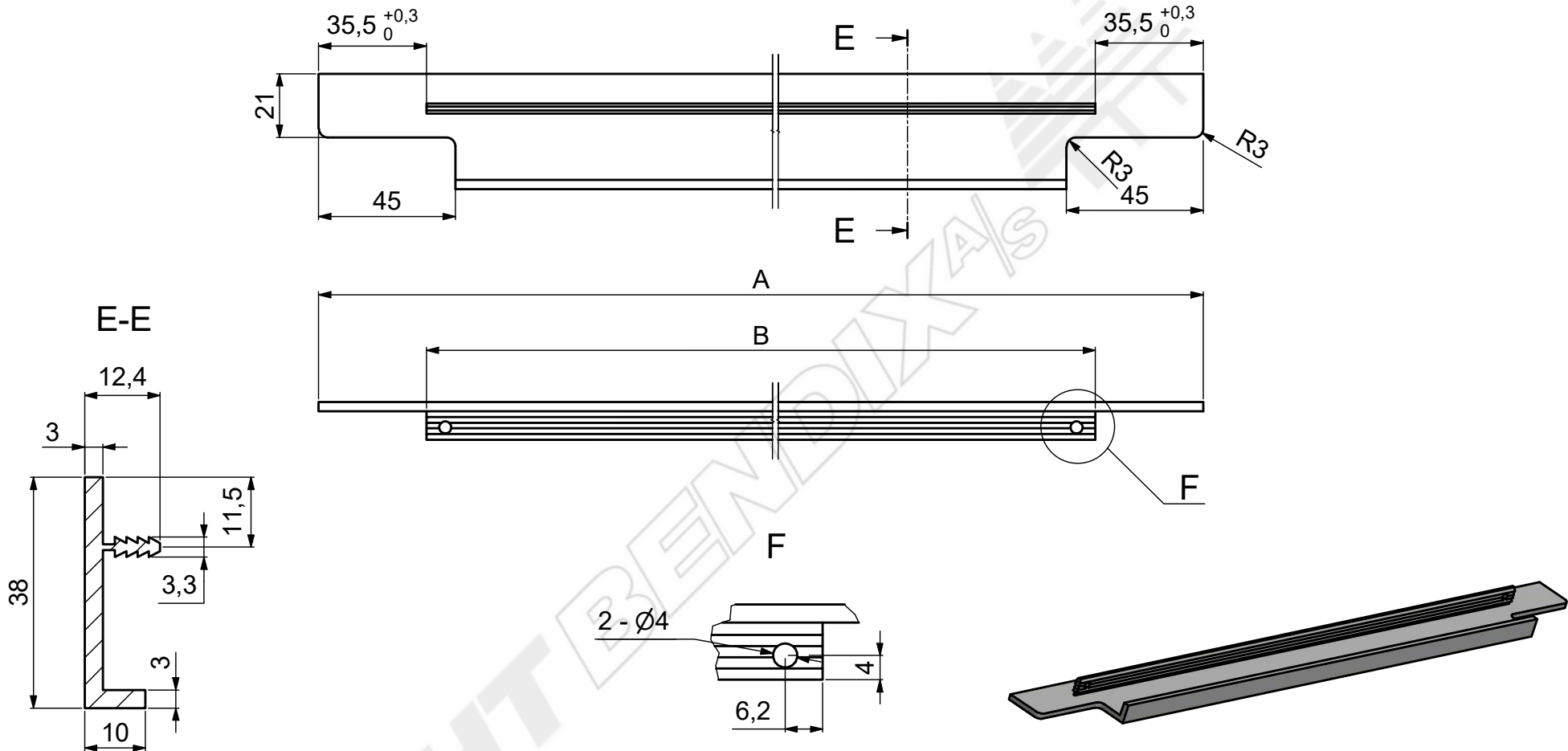


Item no.	A	B
326879	296,5	225,5
326880	496,5	425,5
326881	596,5	525,5
326882	896,5	825,5
326883	1196,5	1125,5

General tolerances
 Unless otherwise stated
 according to
ISO 2768-1 class m



Item: Handle bar	Ref.: Henk	 Projection Units: mm
Material: Aluminium	Page 1 / 1	
Surface finish: Bright chrome	Creation date: 2013/6/20	Last changed: 2019/9/19
Drawing no. 003-348-01		