

## Lift systems



- ▶ AVENTOS HL – lift up
- ▶▶ Standard | SERVO-DRIVE

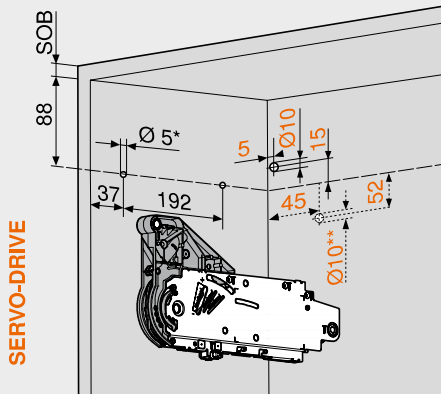
## Wooden fronts, wide and narrow alu frames

Webcode

DQDB2M

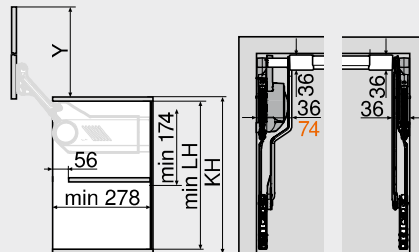
## Planning

## Drilling position

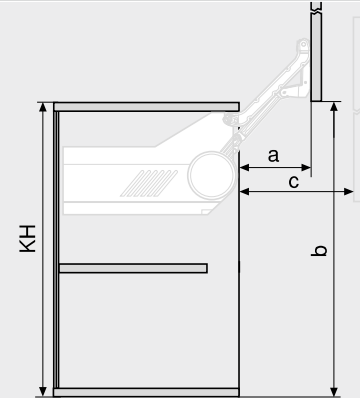


5 x chipboard screws Ø 4 x 35 mm  
 Drilling for SERVO-DRIVE distribution cable, left only  
 SOB Top panel thickness  
 \* Drilling depth 5 mm  
 \*\* Alternative drilling

## Space requirement



SERVO-DRIVE



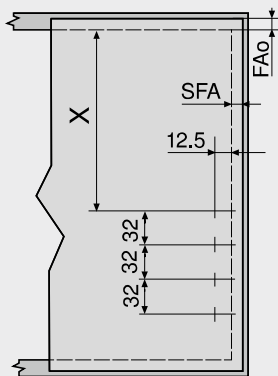
| Lever arm set | LH min.                       | Y (mm) <sup>1</sup> |
|---------------|-------------------------------|---------------------|
| Standard      | SERVO-DRIVE (mm) <sup>1</sup> |                     |
| 20L3200.06    | 21L3200.01                    | 262.0               |
| 20L3500.06    | 21L3500.01                    | 312.0               |
| 20L3800.06    | 21L3800.01                    | 362.0               |
| 20L3900.06    | 21L3900.01                    | 412.0               |

<sup>1</sup> Dimensions based on lower gap F = 0 mm  
 LH Internal cabinet height  
 KH Cabinet height

| Lever arm set | a (mm)      | b (mm) <sup>1</sup> | c max. (mm) |
|---------------|-------------|---------------------|-------------|
| Standard      | SERVO-DRIVE |                     |             |
| 20L3200.06    | 21L3200.01  | 114.0               | 159.0       |
| 20L3500.06    | 21L3500.01  | 146.0               | 209.0       |
| 20L3800.06    | 21L3800.01  | 178.0               | 259.0       |
| 20L3900.06    | 21L3900.01  | 210.0               | 309.5       |

<sup>1</sup> Dimensions based on lower gap F = 0 mm  
 KH Cabinet height

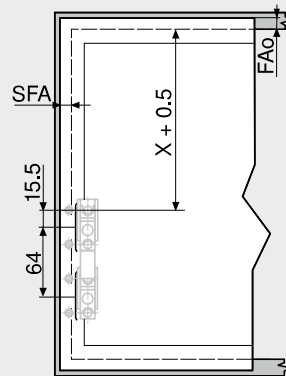
## Front assembly – wooden fronts and wide alu frames



| Lever arm set | X (mm)      |
|---------------|-------------|
| Standard      | SERVO-DRIVE |
| 20L3200.06    | 21L3200.01  |
| 20L3500.06    | 21L3500.01  |
| 20L3800.06    | 21L3800.01  |
| 20L3900.06    | 21L3900.01  |

FAo Upper front overlay  
 SFA Front overlay of the side panel  
 Wall application: min. gap required 5 mm

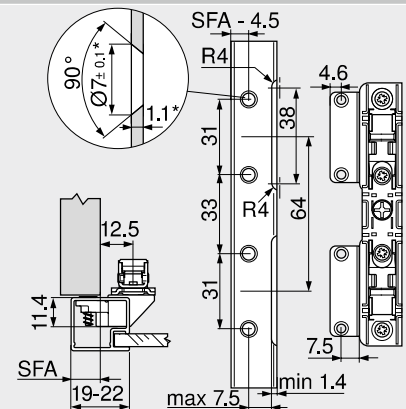
## Front assembly – narrow alu frames



| Lever arm set | X (mm)      |
|---------------|-------------|
| Standard      | SERVO-DRIVE |
| 20L3200.06    | 21L3200.01  |
| 20L3500.06    | 21L3500.01  |
| 20L3800.06    | 21L3800.01  |
| 20L3900.06    | 21L3900.01  |

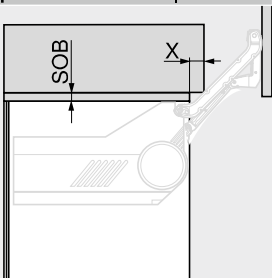
FAo Upper front overlay  
 SFA Front overlay of the side panel  
 Wall application: min. gap required 5 mm

## Narrow alu frames



For frame width 19 mm, a side front overlay SFA of 11–18 mm is possible  
 \* When changing material thickness, adjust the assembly dimensions accordingly

## Space requirement – cornice | crown



| Top panel thickness SOB (mm) | X (mm) |
|------------------------------|--------|
| 16                           | 28     |
| 18                           | 30     |
| 19                           | 31     |

## Connecting piece

